

Mitutoyo

FS300

High Power Inspection Microscope

*New Design
Provides Improved
Inspection*





*Mitutoyo
FS300 Microscope*



*Redesigned for
Improved Operation*

Employing Ergonomic Design to Reduce Fatigue

Controls designed for ease of use

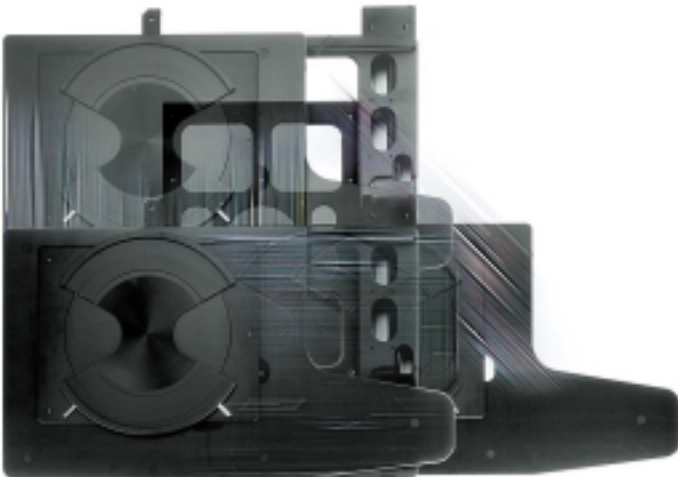
The most frequently used functions, such as the focus handle, objective lens switch and light-volume adjuster, are positioned at the front of the microscope and within the reach of the operator's fingers, to allow him/her to perform various observations without adjusting his/her posture.

Transmitted illumination from another light source can also be controlled on the front panel.



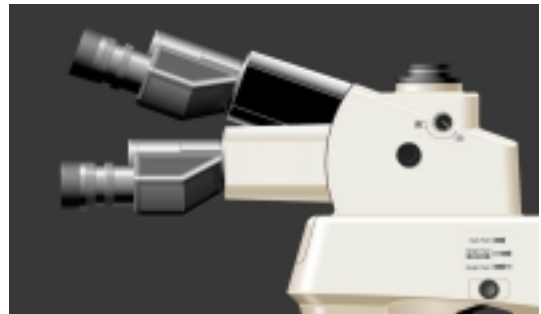
The newly developed 300mm (12") cross-travel stage allows observation of an entire range of 300mm (12") IC wafer

The newly developed 356mm x 306mm (14.01"x12.04") stroke cross-travel stage allows inspection of the entire range of a 300mm (12") IC wafer. A measuring target can be recognized quickly, using the one-grip handle.



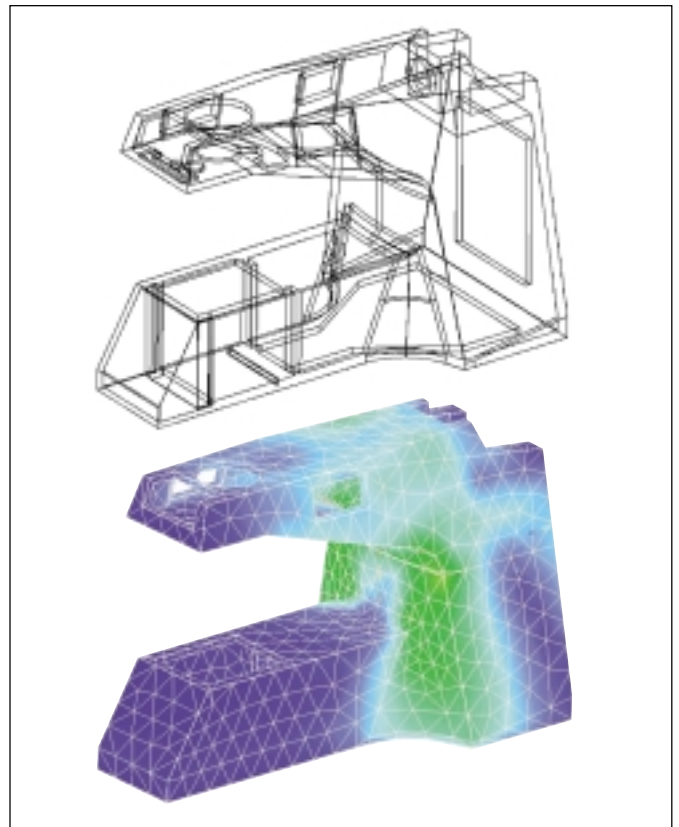
Improved eye level lens for fatigue free use

The eye-point of the objective lens is designed to be at the most ideal position to prevent eye fatigue in long-time observations. The models with the tilting head allow the operator to adjust the head to attain the eye-point position that best suit his/her work posture.



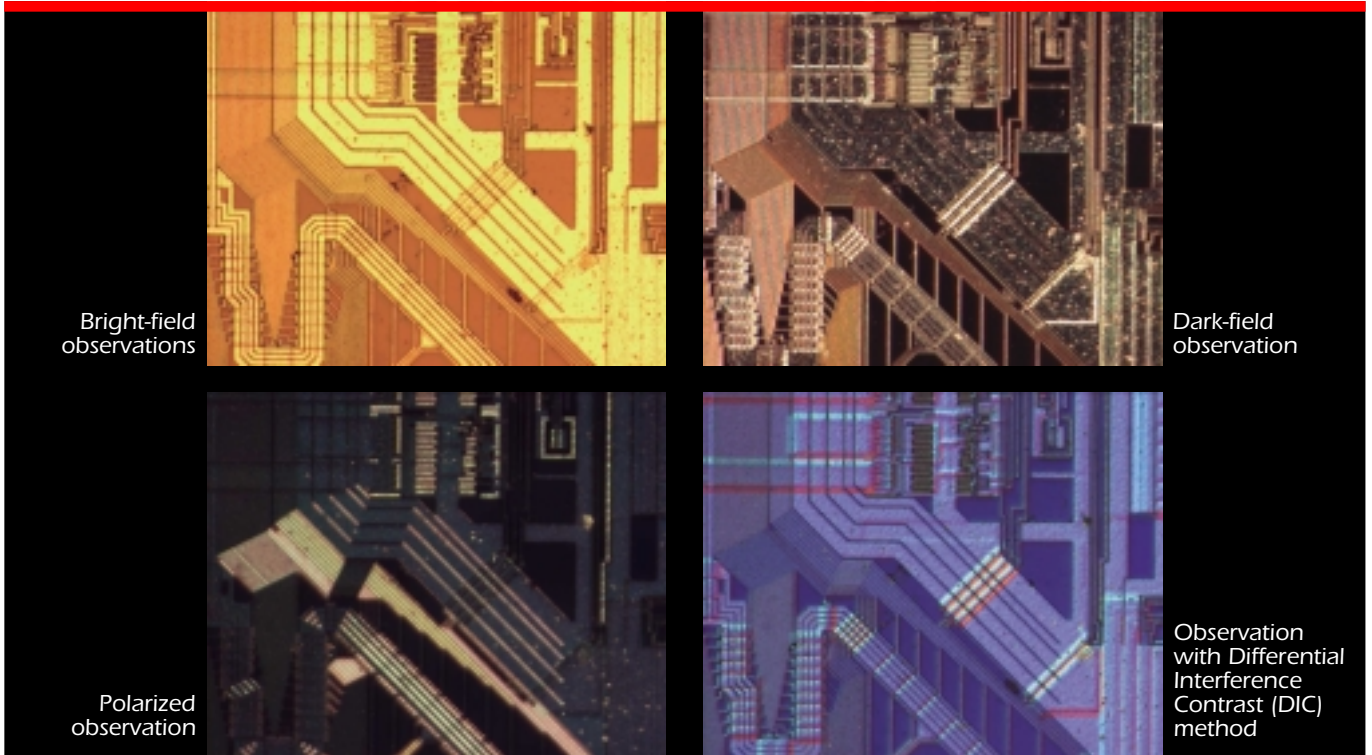
One-body frame with high-rigidity and high vibration-resistance for high-magnification observation

The design of the FS300 is based on the FEM and vibration analyses, creating a body with high-rigidity and high-vibration resistance. This greatly reduces image distortion and blurring, even in observations with high-magnifications.





Wide Field of View Options



Bright-field observations

Dark-field observation

Polarized observation

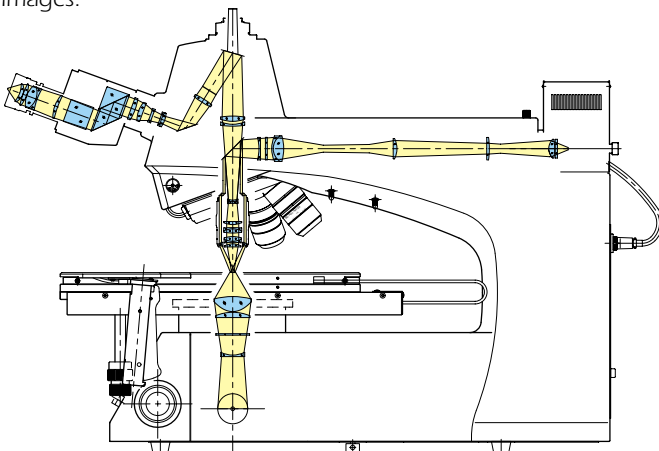
Observation with Differential Interference Contrast (DIC) method

Super-wide field of view eyepiece

Being equipped with an eyepiece with field number 30, the highest in its class, allows observation of a wide view-field to greatly reduce eye fatigue.

Mitutoyo's unique optical system offers a clear image without flaring.

Mitutoyo's unique optical system has completely eliminated flaring and ghosting, which causes deterioration of contrast and image-formation, thus now achieving bright and clear images.



Equipped with the double-sliding mechanism for both bright-field and dark-field observations

One-touch operation of switching between the bright-field and the dark-field: the double-sliding knob composed of only one shaft allows the operator to switch between the bright- and dark-fields without taking an eye off the eyepiece. An eye-protecting filter is automatically inserted in the eyepiece, when the mode is switched from the dark-field observation to the bright-field observation.



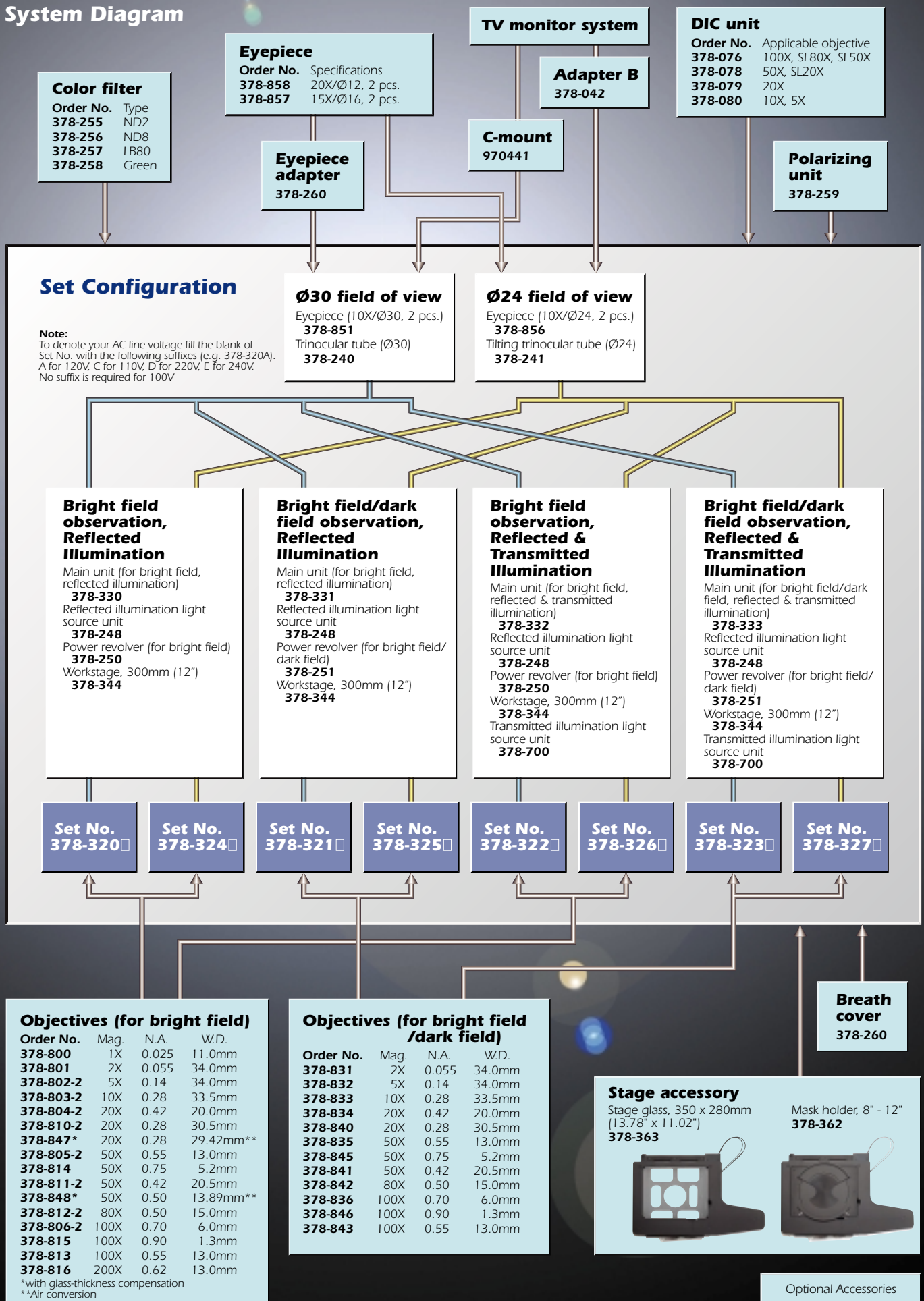
Popular long working-distance objective lenses

Being equipped with the M Plan Apo series objective lenses (Plan Apochromat) takes advantage of high-operability as long working-distance objectives and high-resolution as high N.A. objective lenses.

M Plan Apo HR100x has a numerical aperture of 0.9 and a working distance of 1.3mm, the highest level of performance in its class.



System Diagram



Color filter
Order No. Type
378-255 ND2
378-256 ND8
378-257 LB80
378-258 Green

Eyepiece
Order No. Specifications
378-858 20X/Ø12, 2 pcs.
378-857 15X/Ø16, 2 pcs.

TV monitor system
Adapter B
378-042

DIC unit
Order No. Applicable objective
378-076 100X, SL80X, SL50X
378-078 50X, SL20X
378-079 20X
378-080 10X, 5X

Eyepiece adapter
378-260

C-mount
970441

Polarizing unit
378-259

Set Configuration

Note:
 To denote your AC line voltage fill the blank of Set No. with the following suffixes (e.g. 378-320A).
 A for 120V, C for 110V, D for 220V, E for 240V.
 No suffix is required for 100V

Ø30 field of view
 Eyepiece (10X/Ø30, 2 pcs.)
378-851
 Trinocular tube (Ø30)
378-240

Ø24 field of view
 Eyepiece (10X/Ø24, 2 pcs.)
378-856
 Tilting trinocular tube (Ø24)
378-241

Bright field observation, Reflected Illumination
 Main unit (for bright field, reflected illumination)
378-330
 Reflected illumination light source unit
378-248
 Power revolver (for bright field)
378-250
 Workstage, 300mm (12")
378-344

Bright field/dark field observation, Reflected Illumination
 Main unit (for bright field, reflected illumination)
378-331
 Reflected illumination light source unit
378-248
 Power revolver (for bright field/dark field)
378-251
 Workstage, 300mm (12")
378-344

Bright field observation, Reflected & Transmitted Illumination
 Main unit (for bright field, reflected & transmitted illumination)
378-332
 Reflected illumination light source unit
378-248
 Power revolver (for bright field)
378-250
 Workstage, 300mm (12")
378-344
 Transmitted illumination light source unit
378-700

Bright field/dark field observation, Reflected & Transmitted Illumination
 Main unit (for bright field/dark field, reflected & transmitted illumination)
378-333
 Reflected illumination light source unit
378-248
 Power revolver (for bright field/dark field)
378-251
 Workstage, 300mm (12")
378-344
 Transmitted illumination light source unit
378-700

Set No.
378-320 □

Set No.
378-324 □

Set No.
378-321 □

Set No.
378-325 □

Set No.
378-322 □

Set No.
378-326 □

Set No.
378-323 □

Set No.
378-327 □

Objectives (for bright field)

Order No.	Mag.	N.A.	W.D.
378-800	1X	0.025	11.0mm
378-801	2X	0.055	34.0mm
378-802-2	5X	0.14	34.0mm
378-803-2	10X	0.28	33.5mm
378-804-2	20X	0.42	20.0mm
378-810-2	20X	0.28	30.5mm
378-847*	20X	0.28	29.42mm**
378-805-2	50X	0.55	13.0mm
378-814	50X	0.75	5.2mm
378-811-2	50X	0.42	20.5mm
378-848*	50X	0.50	13.89mm**
378-812-2	80X	0.50	15.0mm
378-806-2	100X	0.70	6.0mm
378-815	100X	0.90	1.3mm
378-813	100X	0.55	13.0mm
378-816	200X	0.62	13.0mm

*with glass-thickness compensation
 **Air conversion

Objectives (for bright field /dark field)

Order No.	Mag.	N.A.	W.D.
378-831	2X	0.055	34.0mm
378-832	5X	0.14	34.0mm
378-833	10X	0.28	33.5mm
378-834	20X	0.42	20.0mm
378-840	20X	0.28	30.5mm
378-835	50X	0.55	13.0mm
378-845	50X	0.75	5.2mm
378-841	50X	0.42	20.5mm
378-842	80X	0.50	15.0mm
378-836	100X	0.70	6.0mm
378-846	100X	0.90	1.3mm
378-843	100X	0.55	13.0mm

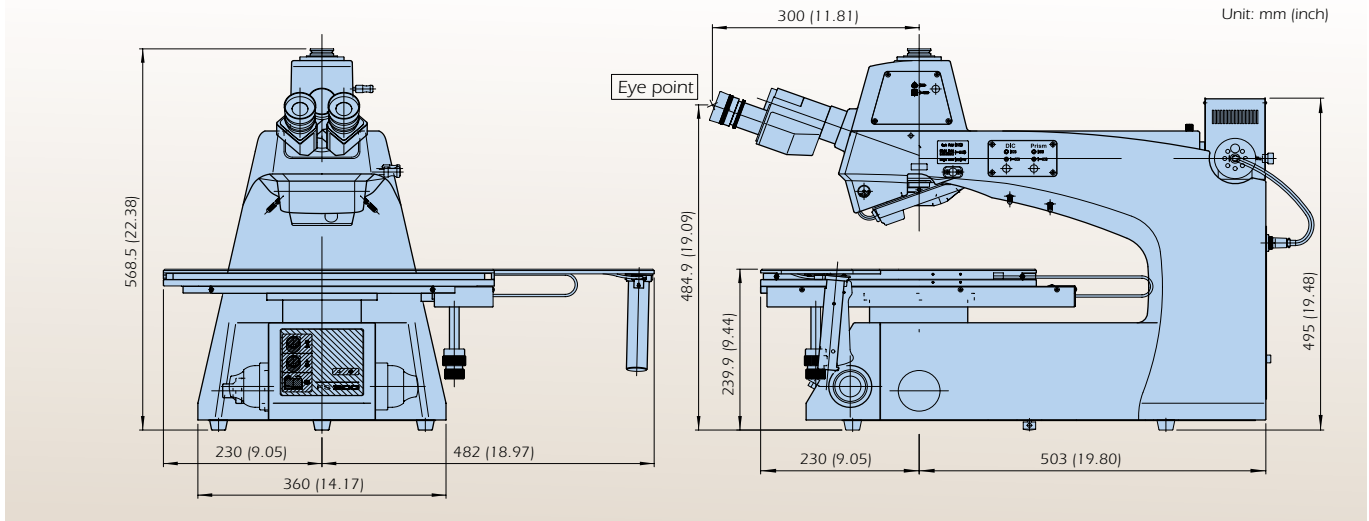
Breath cover
378-260

Stage accessory
 Stage glass, 350 x 280mm (13.78" x 11.02")
378-363

Mask holder, 8" - 12"
378-362

Optional Accessories

Dimensions



SPECIFICATIONS

Main unit	Observation system	Bright field (BF): 378-320, 378-322, 378-324, 378-326 Bright/dark field (BF/DF): 378-321, 378-323, 378-325, 378-327
	Reflected illumination	Koehler illumination With aperture diaphragm (centering mechanism) and field stop 12V/100W halogen lamp (non-stepped brightness adjustment) With filter mounting slot (2-slot) With BF/DF switching slide (378-321, 378-323, 378-325, 378-327 only)
	Transmitted illumination	12V/100W fiber illumination (non-stepped brightness adjustment) With aperture diaphragm (378-321, 378-323, 378-325, 378-327 only)
	Focus adjustment	With concentric coarse and fine focusing wheels (right and left) Fine adjustment: 0.1mm/rev. for 32mm (1.25") travel range Coarse adjustment: 3.8mm/rev. for 32mm (1.25") travel range
Power revolver	Inward type with 4 lens mounts	
Workstage	Travel stroke: 356 x 306mm (14.01"x12.04") With X-/Y-axis fine feed knobs and coarse travel handle	
Optical tube	Type	Trinocular tube (erect image)
	Field number	30: 378-320, 378-321, 378-322, 378-323 24: 378-324, 378-325, 378-326, 378-327
	Depression angle	Fixed 20°: 378-320, 378-321, 378-322, 378-323 Adjustable 0° to 20°: 378-324, 378-325, 378-326, 378-327
	Intermediate image mag.	1X
	Optical pass ratio	Switchable (eyepiece/CCD camera=100/0 or 0/100)
	Pupil distance	Siedentopf type, adjustment range: 51 - 76mm
Eyepiece	Field of view	10X/Ø30: 378-320, 378-321, 378-322, 378-323 10X/Ø24: 378-324, 378-325, 378-326, 378-327
	Applicable objective (optional)	M Plan Apo, M Plan Apo SL, G Plan Apo: 378-320, 378-322, 378-324, 378-326 BD Plan Apo, BD Plan Apo SL: 378-321, 378-323, 378-325, 378-327
Dimensions	Main unit	360 x 803 x 568.5mm (14.17" x 31.61" x 22.38")
	Workstage	712 x 456.5mm (28.03" x 17.97")
Power supply	100 to 240VAC, 50/60Hz	
Power consumption	Approx. 150W: 378-320, 378-321, 378-324, 378-325 Approx. 300W: 378-322, 378-323, 378-326, 378-327	
Mass	Approx. 50kg (110lbs.) including workstage	

Specifications are subject to change without notice.

Mitutoyo

Mitutoyo America Corporation

NEW JERSEY 18 Essex Road, Paramus, NJ 07652 Phone (201) 368-0525 Fax No. 201-343-4969	MICHIGAN 45001 Five Mile Rd., Plymouth, MI 48170 Phone (734) 459-2810 Fax No. 734-459-0455	ILLINOIS 965 Corporate Blvd., Aurora, IL 60504 Phone (630) 978-5385 Fax No. 630-820-7403	CALIFORNIA 16925 Gale Ave., City of Industry, CA 91745 Phone (626) 961-9661 Fax No. 626-333-8019
--	---	---	---

<http://www.mitutoyo.com>

DISTRIBUTED BY: