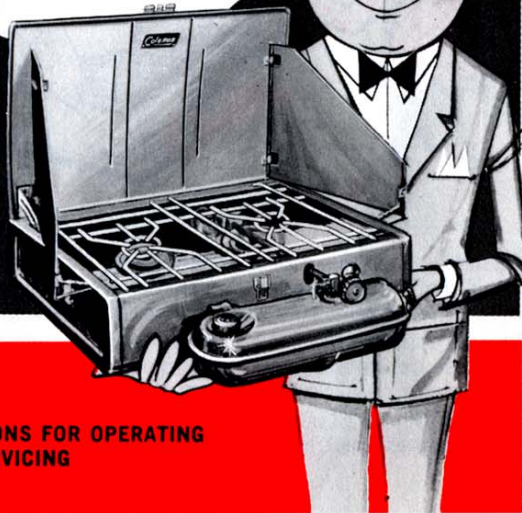


HOW TO USE YOUR TWO-BURNER CAMP STOVE 413G



**DIRECTIONS FOR OPERATING
AND SERVICING**

NEW COLEMAN TEFLON II GRIDDLE — 426D STOVE



This versatile add-on appliance fits all Coleman stoves. Thick cast aluminum distributes heat evenly, brown Teflon II coating prevents food from sticking. Recessed groove around cooking surface allows dry cooking.

COLEMAN HIGH STAND

Has rigidity with light weight. Premium gauge aluminum extrusions combined with eight stiffener links. Opens from either end, provides firm base for stoves, coolers, etc. Size open: 15½" x 15" x 26". Size closed: 2½" x 2" x 26".

COLEMAN OVEN

Flip it open, latch it closed. Simplified, instant setup requires no instruction; bakes frozen foods, prepared rolls and biscuits, or your own taste treats better, more evenly. Large side-opening door for greater convenience. Model 5010A700.



GENERAL SUGGESTIONS

KEEP BURNER CLEAN. An obstruction, such as a burned match head, near the burner will produce a yellow flame at that point.

THE PUMP PLUNGER not only pumps air into the tank but acts as a wrench to turn the air stem. Turned to the left it opens the air stem so air may be forced through check valve. Turned to the right, the air stem closes the check valve and provides a positive shutoff. Air pressure may be added while the stove is burning. Oil the leather occasionally to keep it soft and pliable.

KEEP TANK CLEAN by rinsing it occasionally with clean fuel.

BEFORE STORING STOVE, clean stove carefully, leave fuel in tank. After long storage, empty tank and refill with fresh fuel.

THE STOVE GENERATOR changes liquid fuel to a vapor. Eventually it may fill with carbon so no fuel can be forced through it. Avoid problems by keeping a spare generator, No. 413A5G21 on hand.

CONTACT YOUR DEALER for service assistance or parts for your stove. Or write The Coleman Company, Inc., mentioning that your stove is a No. 413G.

YOUR COLEMAN GUARANTEE

All new models of Coleman Outing Products are guaranteed against faulty material or workmanship.

Any part found defective because of imperfect material or workmanship will be replaced without charge when returned with transportation charges prepaid to the Coleman factory, or to the nearest Coleman authorized in-warranty service station.

This guarantee does not, of course, apply to generators on stoves and lanterns, nor to any product where it is evident that damage has developed from improper handling or operation.

NOTICE: The use of any attachment or device that is not expressly approved by The Coleman Company, Inc., to alter or affect the operation of the appliance automatically cancels all warranties, implied or expressed. Furthermore, the Company shall not be liable for any consequences that result from the use of equipment under these circumstances.

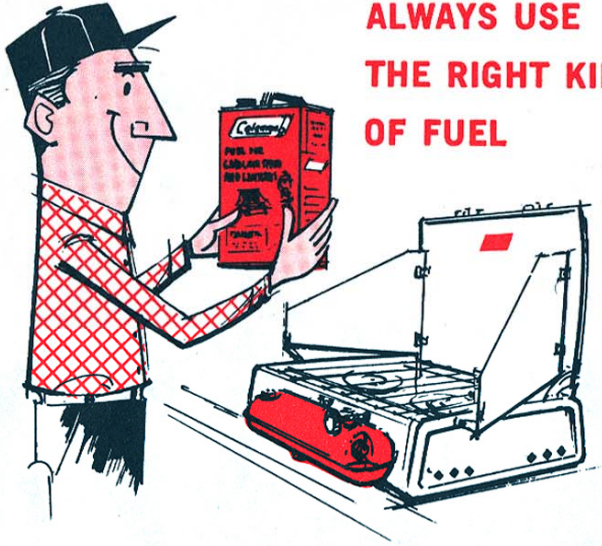
Coleman's warranty on repair parts is made null and void by their use on other than **Coleman** manufactured appliances. Coleman's warranty on **Coleman** appliances is made null and void by use of other than genuine **Coleman** repair parts. Always look for this **Coleman** label.

Made in United States of America

THE COLEMAN COMPANY, INC.

General Office and Factory: Wichita, Kansas, U.S.A. 67201
Canadian Office and Factory: Toronto, Canada

ALWAYS USE THE RIGHT KIND OF FUEL



Substances in gasoline which do not vaporize will form carbon in the generator of your stove. The length of service you get from your stove and generator depends greatly upon the kind of fuel you use.

Use only Coleman Stove and Lantern Fuel or clean white gasoline. Never use fuel containing lead compounds or lubricating oils. Store your fuel in a clean, closed metal container.

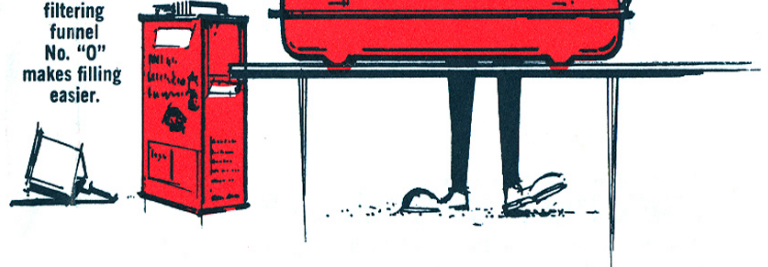
If Coleman Stove and Lantern Fuel or ordinary "white" gasoline is not readily available, most oil companies will gladly tell you where to obtain it.

TO OPEN STOVE Unlatch and open lid. If it is windy, shield the burners by swinging wind baffles out and position them by inserting the wire clips into slots in the ends of the stove. Raise the grate and remove the tank assembly.

TO FILL TANK

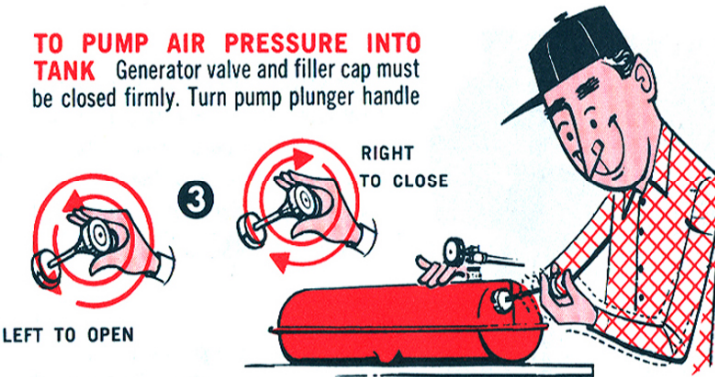
(see illustration at right)
Close valve (1) firmly by turning valve wheel to right. Unscrew filler cap (2). With tank in level position, fill with clean fresh fuel. Tank holds 3 pints. Replace filler cap and tighten firmly with fingers. Never remove cap near flame, high heat, or when tank is in operating position.

The Coleman filtering funnel No. "0" makes filling easier.



TO PUMP AIR PRESSURE INTO TANK

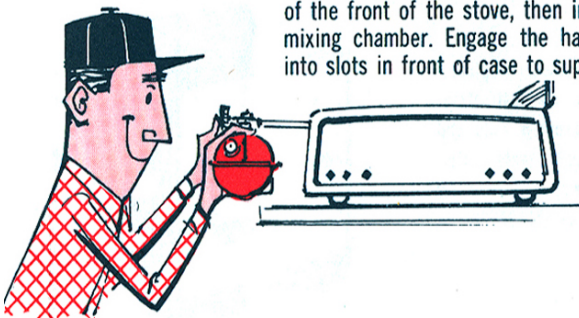
Generator valve and filler cap must be closed firmly. Turn pump plunger handle



(3) two complete turns to the left. Place thumb over the small hole in handle and pump 35 to 50 full strokes of air into the tank. Then turn pump plunger handle to the right and tighten firmly.

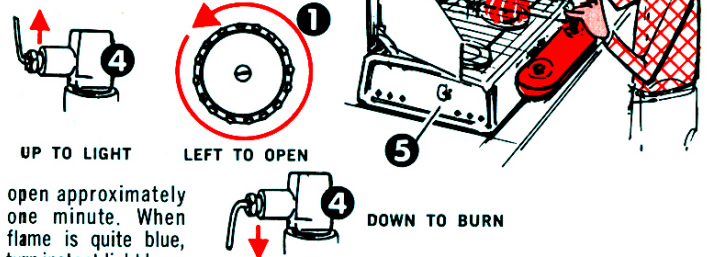
TO PLACE TANK AND GENERATOR IN POSITION

Insert the generator into large hole at right end of the front of the stove, then into opening in mixing chamber. Engage the hanger brackets into slots in front of case to support the tank.



TO LIGHT MASTER BURNER

Close auxiliary valve (5), turn instant light lever (4) to "UP TO LIGHT" position. Hold a lighted match above the master burner and turn valve wheel (1) wide open to left. Operate burner full

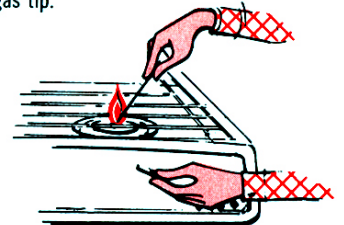


open approximately one minute. When flame is quite blue, turn instant-light lever

(4) to "DOWN TO BURN" position. Pressure should be added to the tank at this time and may be added to tank at any time to give stronger flame. If flame remains reduced when valve is opened all the way, close and open valve several times. This will clean gas tip.

TO LIGHT AUXILIARY BURNER

After the main burner has been lighted, the auxiliary burner may be lighted. Hold a match above the burner and open its valve. Flame can be adjusted as desired. Master burner will require adjustment after lighting the auxiliary burner.



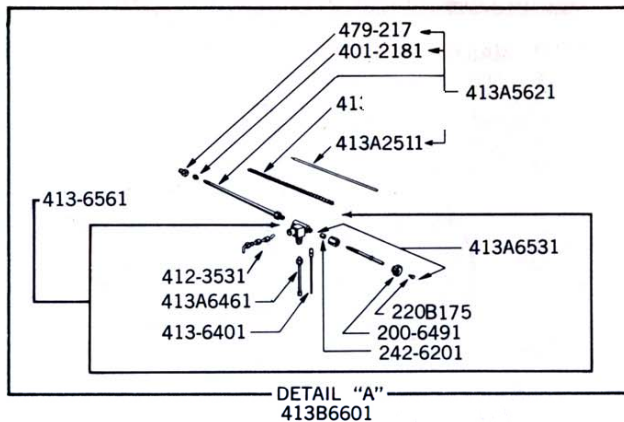
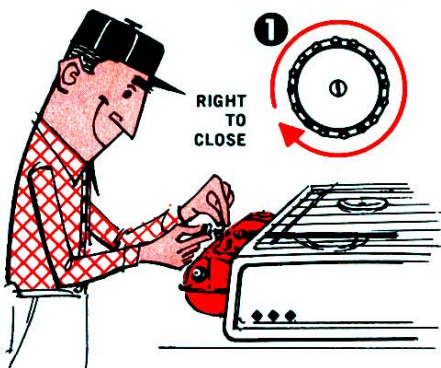
TO SHUT OFF AUXILIARY BURNER

Turn auxiliary burner valve to right until closed.



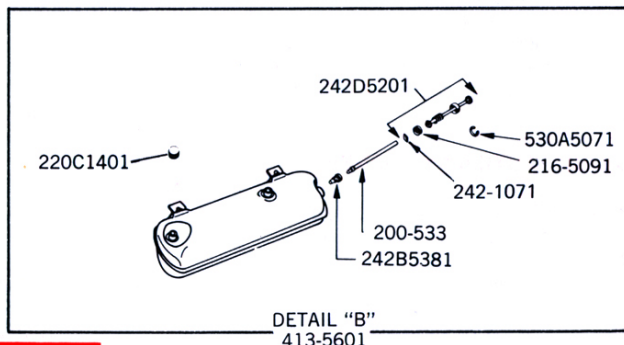
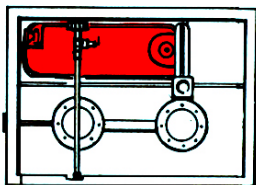
TO SHUT OFF MAIN BURNER

On master burner, turn instant-light lever (4) to "UP TO LIGHT" position and let burn one minute. (This cleans heavier parts of fuel from the generator). Now turn the valve wheel (1) to the right and close firmly. The flame may burn a minute or more until gas in the generator is gone.

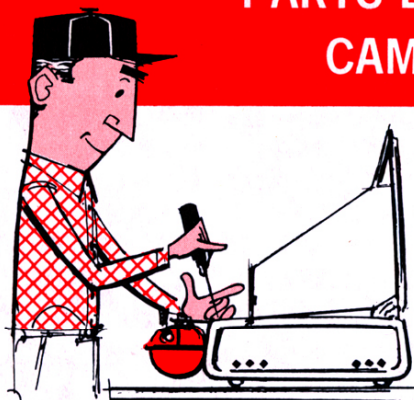


TO PACK STOVE

Reverse the procedure followed in opening stove. The tank and generator assembly go in the left end of the stove as you face it, with the valve wheel fitted in under the rear flange of the case.



**PARTS LIST FOR COLEMAN
CAMP STOVE 413G**



PART NO.	DESCRIPTION
242D5201	Pump Plunger Ass'y.
401-2181	Gas Tip (Marked B)
412-3531	Stem (Lighter)
413-130	Screw
413-5281	Manifold Assembly
413-5601	Tank (Complete)
413-6401	Block & Needle Assembly
413-6561	Valve Body and Stem Complete
413A2191	Coil (Generator)
413A2511	Needle Assembly
413B5531	Grate
413A5621	Generator
413A6461	Tube Assembly (Fuel & Air)
413A6531	Stem Assembly
413B6601	Valve & Generator (Complete)
413C3021	Burner Bowl
413C3451	Cap and Fillers
425-3451	Cap and Fillers
479-217	Protector (Tip)
530A5071	Clip (Pump Cap)

PART NO.	DESCRIPTION
8B119	Enamel (Pressured Spray—Forest Green)
200-533	Air Stem
200-6491	Wheel (Valve)
216-5091	Pump Cup
220B175	Self-Tapping Screw
220C1401	Filler Cap
242-1071	Push-On Nut
242-6201	Packing (Valve Stem)
242B5381	Check Valve

