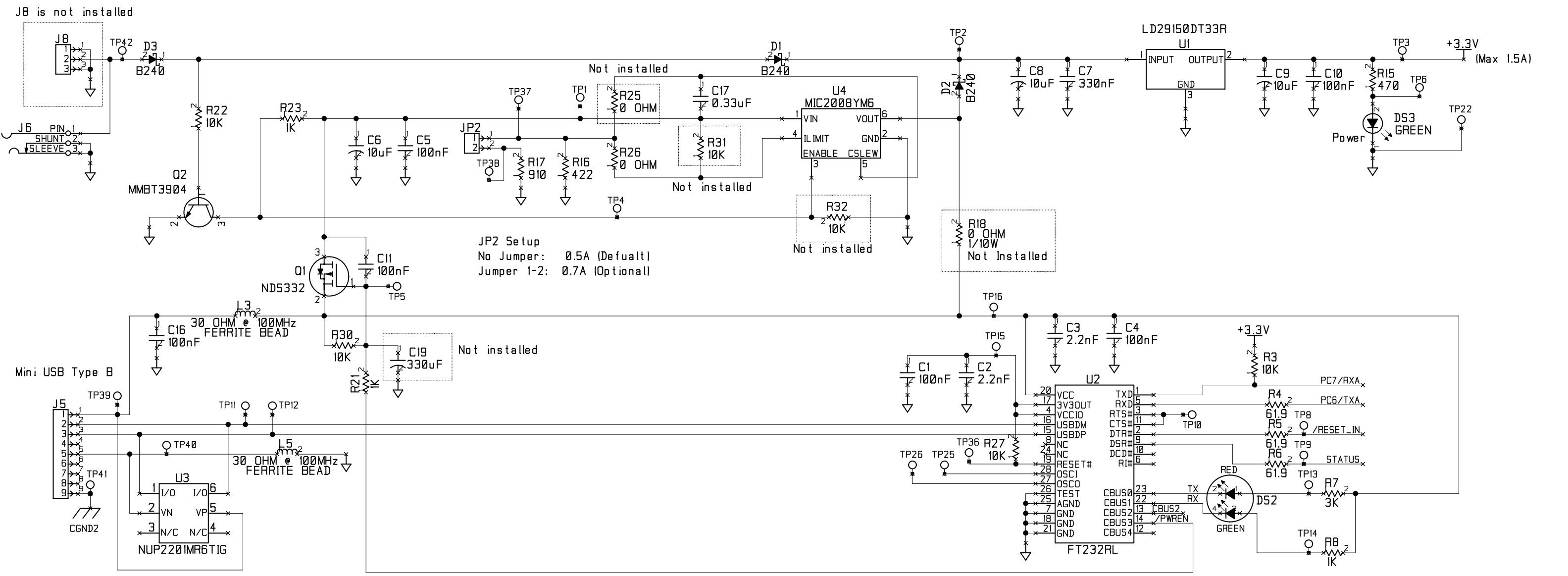
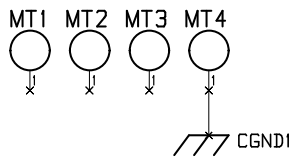


REVISION HISTORY			REVISION APPROVAL			
REV	ECO	DESCRIPTION	PROJECT ENGINEER	APPROVAL DATE	DOCUMENT CONTROL	APPROVAL DATE
A		Pilot Run	LY			
B		Initial Release	LY			
C	000504	Change descript to "Interface Board-RCM56/57XX".	LY			



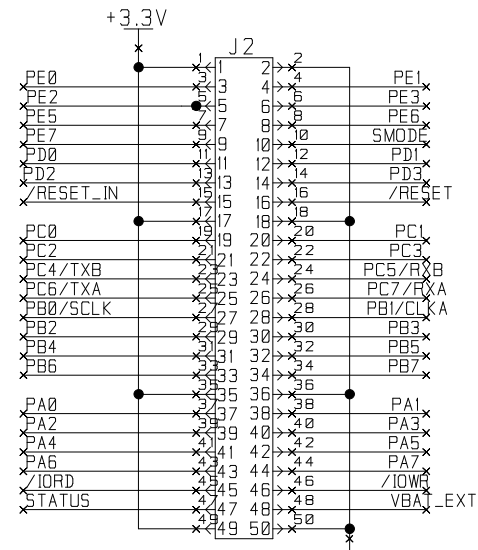
JP2 Setup
 No Jumper: 0.5A (Default)
 Jumper 1-2: 0.7A (Optional)

09-02-08 11:27 am

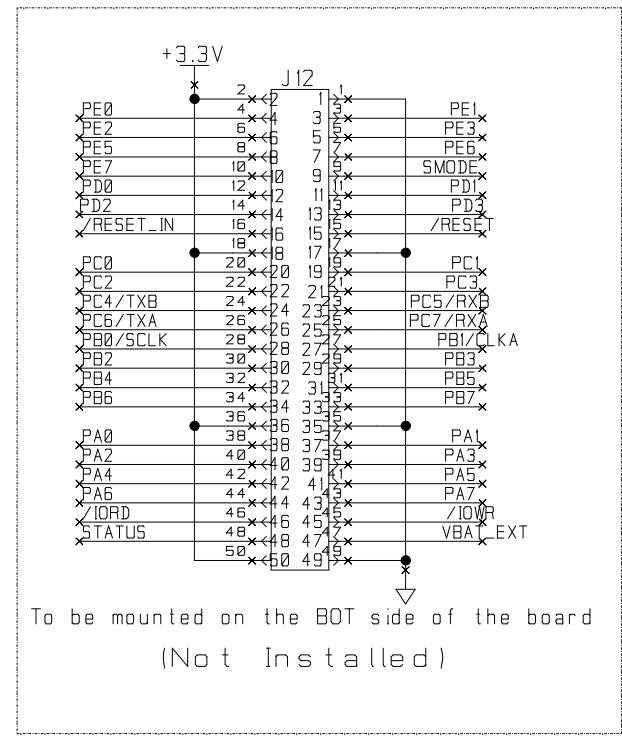
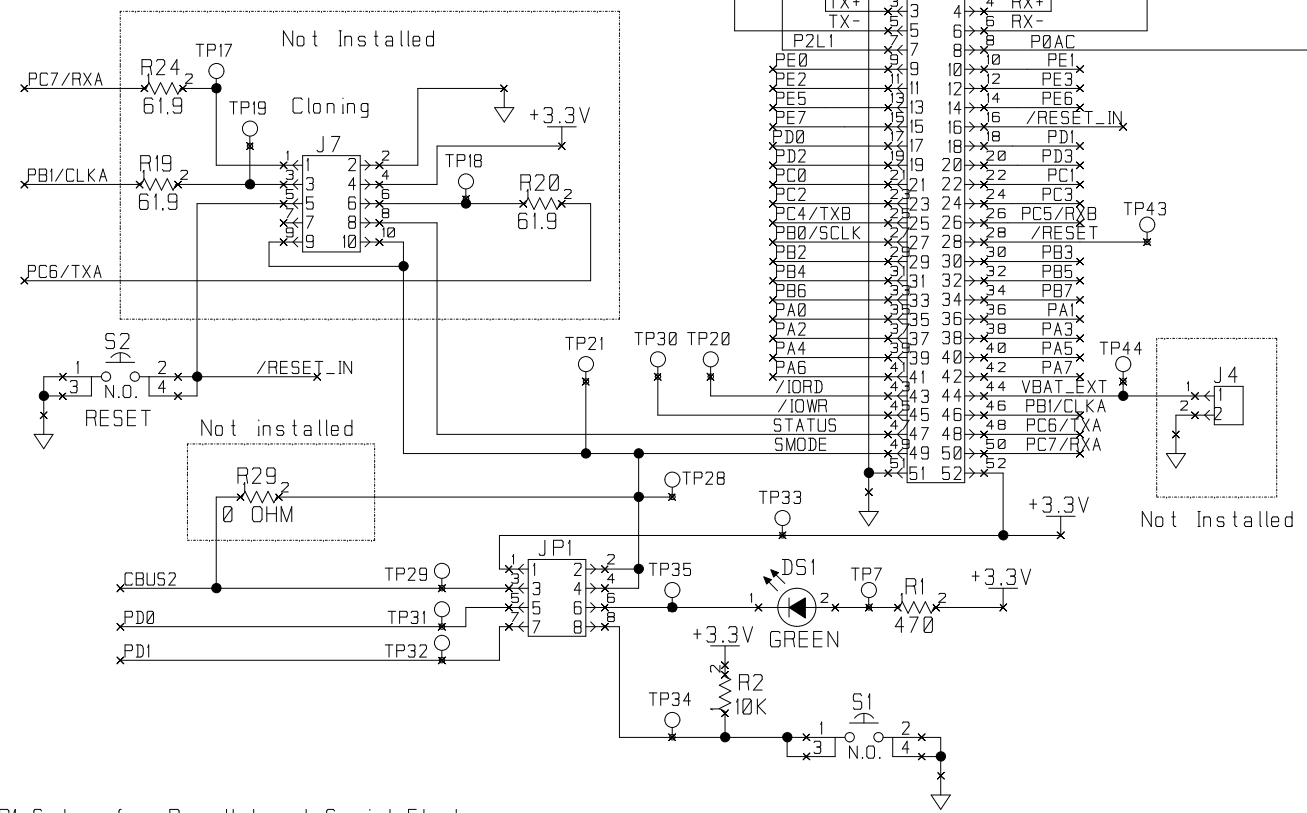
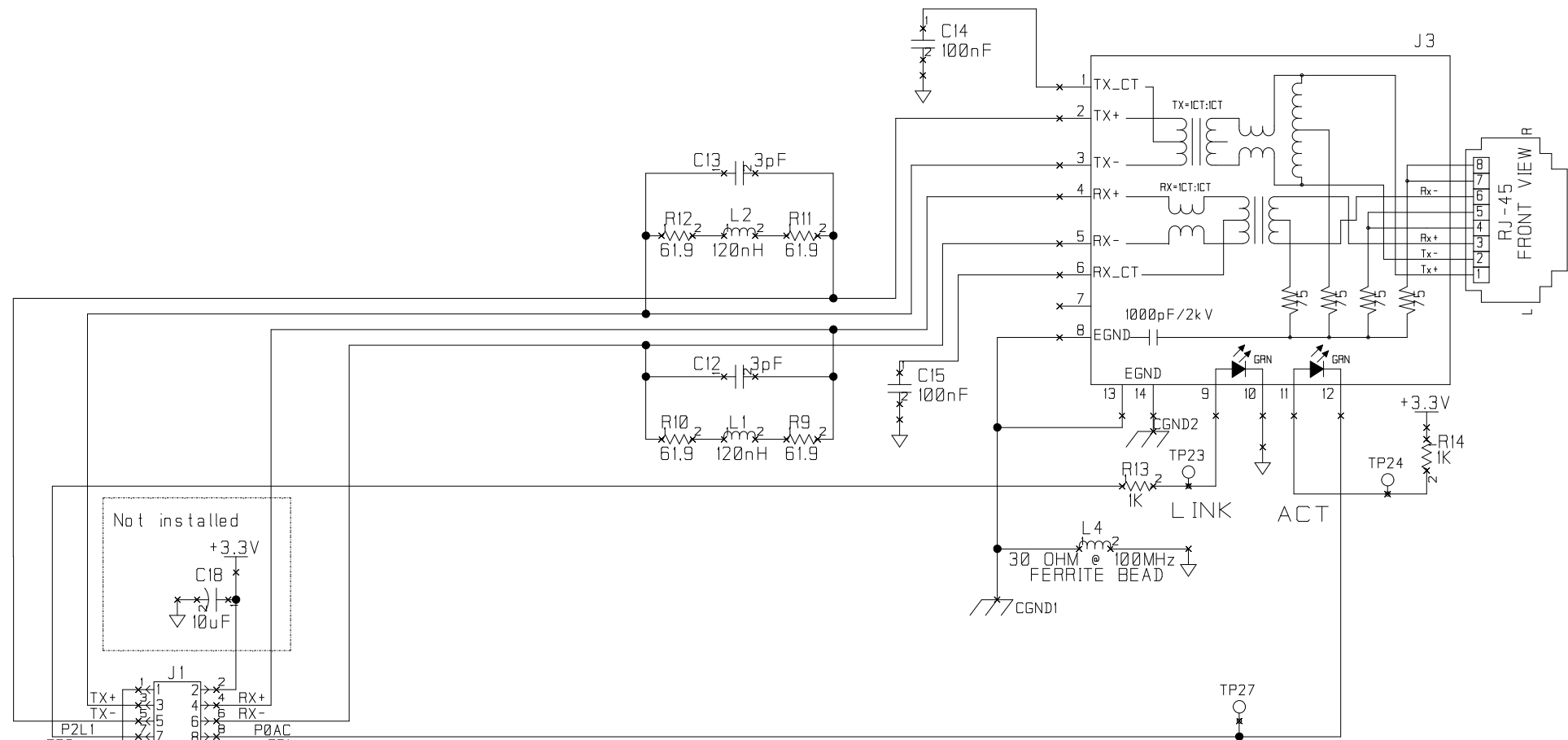


NOTES: UNLESS OTHERWISE SPECIFIED;
 1. ALL RESISTOR VALUES ARE IN OHMS, 1/16W, 1% UNLESS LABELED
 2. THE ORIGATION SOURCE OF A VOLTAGE IS REPRESENTED BY (VCC), AND ALL REFERENCES TO THAT VOLTAGE ARE REPRESENTED BY (VCC).
 3. COMPONENT VALUES SHOWN WITH AN ASTERISK (*) FOLLOWING THE VALUE OR DASHED BOX, MAY HAVE DIFFERENT VALUES, OR MAY NOT BE STUFFED.

APPEND THE FOLLOWING DOCUMENTS WHEN CHANGING THIS DOCUMENT:		DRAWING CONTENT:		TITLE	
		DRAWN BY: (INITIAL RELEASE)		Interface Board - RCM56/57XX	
		LEI Y.	06-05-08		
		REVISED BY:		RABBIT	
		LEI Y.	09-02-08		
		APPROVALS: INITIAL RELEASE		www.rabbit.com	
		PROJECT ENGINEER:			
		LEI Y.	06-05-08	SIZE	DWG NO.
		ENGINEERING MANAGER:		B	090-0269
		XUAN T.	06-05-08	SCALE	NONE
		SIGNATURES	DATE	RELEASE DATE	
				SHEET 1	OF 2



To be mounted on the TOP side of the board



To be mounted on the BOT side of the board
(Not Installed)

JPI Setup for Parallel and Serial Flash
 Jumper 1-2 Jumper on for Programming (SMODE = 1)
 Jumper 1-2 Remove Jumper for Run (SMODE = 0)
 Jumper 3-4 SMODE = Cbus2

JPI Setup for I/O test
 Jumper 5-6 PD0/DS1 Test
 Jumper 7-8 PD1/SI Test

SIZE	DWG NO.
B	090-0269
SCALE	REV LTR
NONE	C
SHEET 2 OF 2	